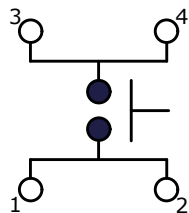
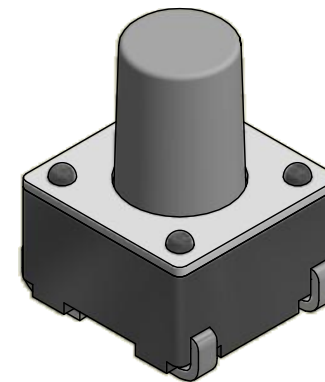
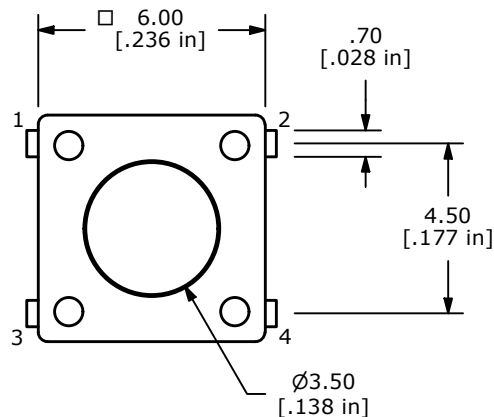
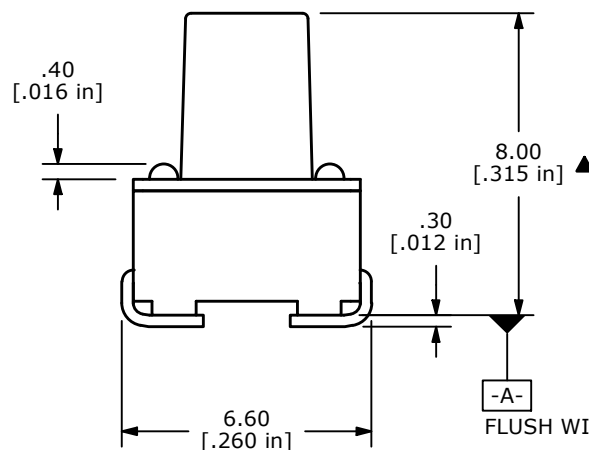


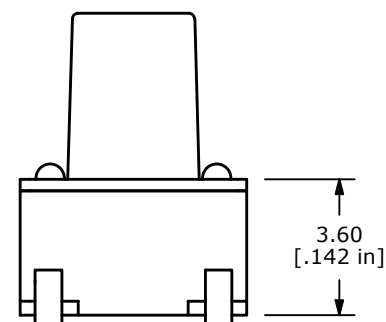
P.C.B. LAYOUT



CIRCUIT: SPST



FLUSH WITH SURFACE -A- TO BELOW



NOTES:

1. ALL DIMENSIONS IN MM
2. GENERAL TOLERANCE: X.X=±0.4
X.XX=±0.25
3. TERM. NOS. FOR REFERENCE ONLY.
4. RATING: 50mA @ 12VDC
- ▲ 5. OPERATING FORCE: 160 ± 50 gms
6. TRAVEL: 0.25mm +0.2/-0.1
7. CONTACT RESISTANCE: 100 MILLI OHMS MAX. (INITIAL)
8. MECHANICAL/ELECTRICAL LIFE: 100,000 CYCLES.
- ▲ 9. CONTACT MATERIAL: SILVER
10. PACKAGE: 650/PIECES PER TAPE AND REEL
11. ▲ DENOTES CRITICAL PARAMETER
12. OPERATING TEMPERATURE: -40°C TO 85°C

C	24256	operating temp to -40°C TO 85°C	4/9/20	MW
B	21067	REEL QTY WAS 750	3/14/13	EBP
A	20998	RELEASED FOR PRODUCTION	2/1/13	EBP
REV	PCR NO	DESCRIPTION	DATE	BY



TITLE TL3301CF160QJ				
SCALE	DATE	DR	DWG	REV
4:1	2/1/2013	EBP	P010798	C

THE INFORMATION CONTAINED IN THIS DOCUMENT IS PROPRIETARY TO E-SWITCH AND IS NOT TO BE COPIED OR TRANSFERRED